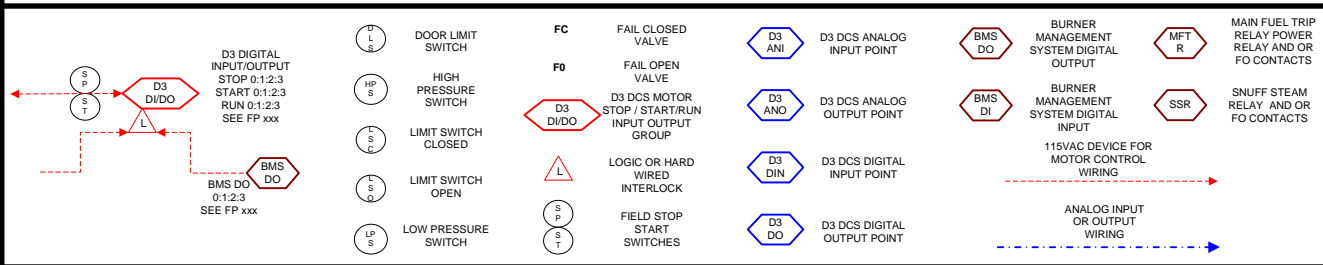
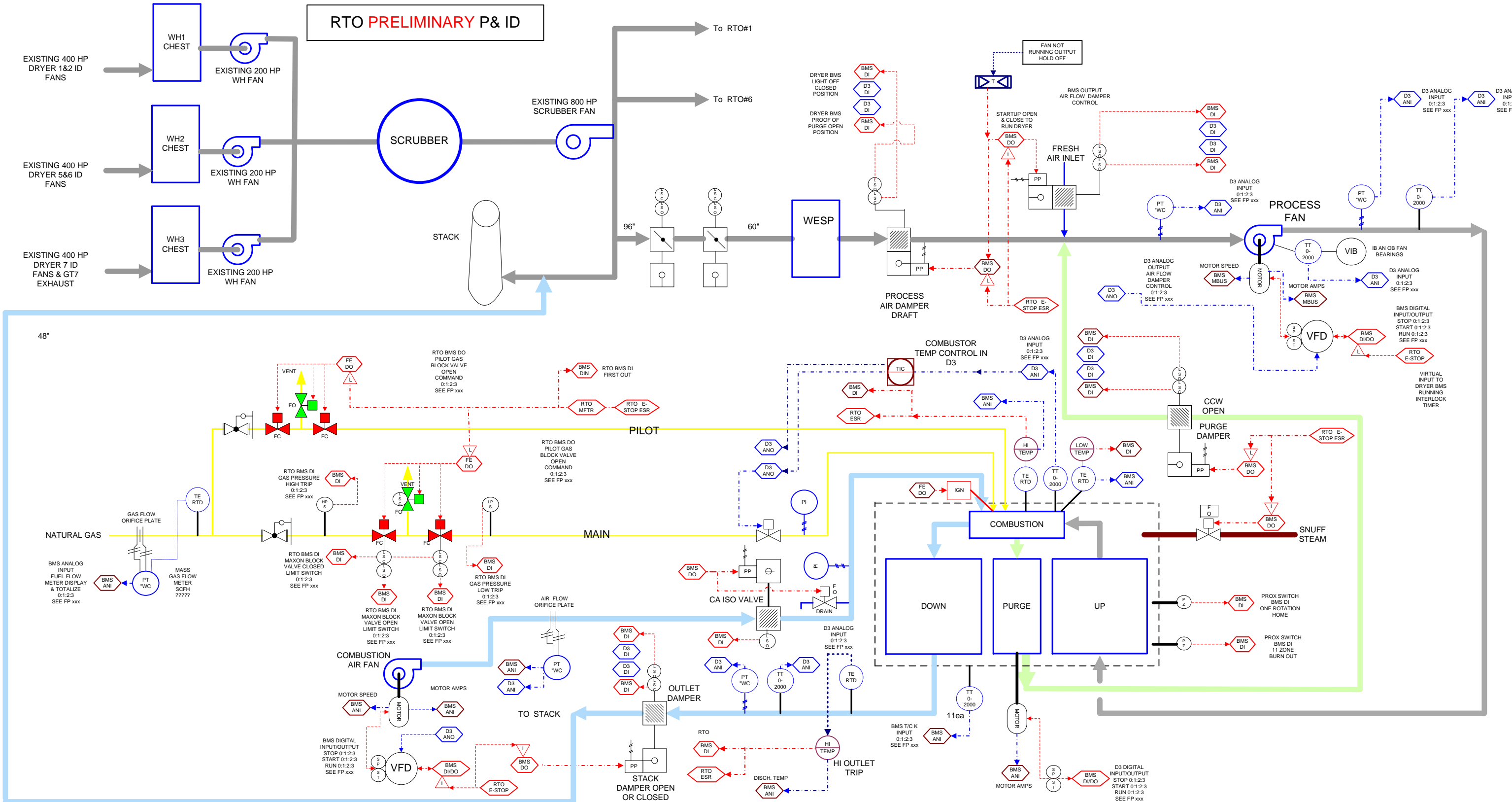


RTO PRELIMINARY P& ID



CONTRACTOR:

C.A.M. INC.
 ROCK ISLAND, IL
 FILE NAME:
RTO-PID-LEGEND REV 01-21-08.VSD

NOTICE: THIS DRAWING IS FURNISHED FOR REFERENCE ONLY. THE FURNISHING OR POSSESSION OF THIS DRAWING OR ANY REPRODUCTION THEREOF, DOES NOT CONVEY ANY MANUFACTURING RIGHTS.

TYPICAL RTO		
1	B. D. GUTHRIE	
RTO 2 P&ID RTO DRAWING IN VISIO SHEET 1		